

**Odisha Skill Development Authority (OSDA) Niyojan Bhawan, Sriya Square, Unit 3, Bhubaneswar – 751001 Odisha India. Tel: +91 0674 2391320/ +91 9535533255 Website: www.empmissionodisha.gov.in; Email: wsc.osda@gmail.com**

**ADDENDUM AND CORRIGENDUM**

In reference to Odisha Skill Development Authority, NOTICE INVITING TENDER Loan 3539 – IND: Odisha Skill Development Project (OSDP) dated Nov 17th 2018, following changes has been done:

S.N	Package/Lot No	Related Service	Addendum	Previous Clause	Revision Clause	Remarks
1	All Packages	Delivery and Completion Schedule	NA	Section 6 – Schedule of supply 2 - Delivery and Completion Schedule  Column - Delivery Schedule (Duration) – T+90	Section 6 – Schedule of supply 2 - Delivery and Completion Schedule  Column - Delivery Schedule (Duration) – T+120	Increase in Delivery and Completion Schedule by 30 days

**2**

**Package 2 –Residential Air-Conditioning**

**Lot 1, Item C1**

**Chilled water balancing distribution system trainer complete with:**

**Specification:**

- Centrifugal pump
- Water tank
- Flow meter and flow switch c/w valves
- Chiller unit
- Cooling coils

Based on tender Corrigendum, the tonnage of Chilled water balancing distribution trainer should be reduced to appropriate capacity as per room size requirement (325 sqm).

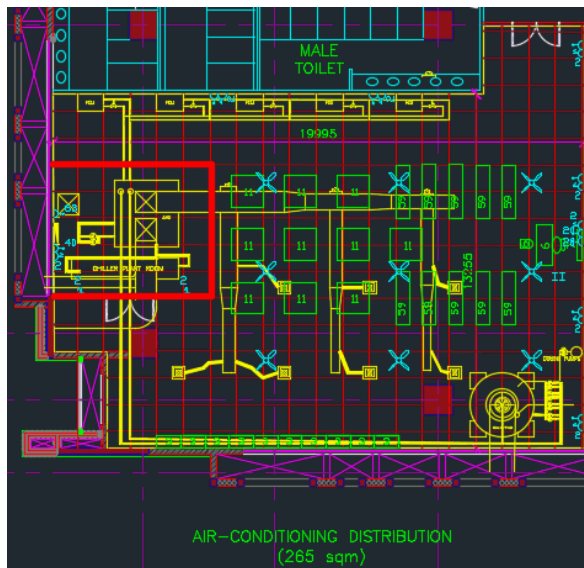
We have been looking more detail on room size and Workshop layout and found there are two workshops that are dedicated for Residential Air-Conditioning Services; on 3<sup>rd</sup> floor (225sqm) and 7<sup>th</sup> floor (280sqm).

From both of Residential airconditioning workshops layout we still not clear and could not find the area for Chilled water balancing distribution.

### Response

1. The chilled water balancing distribution system is under the air distribution system. It is not related to the residential air conditioning workshop.

The above stated equipment should be placed in the workshop shown here in figure 1:

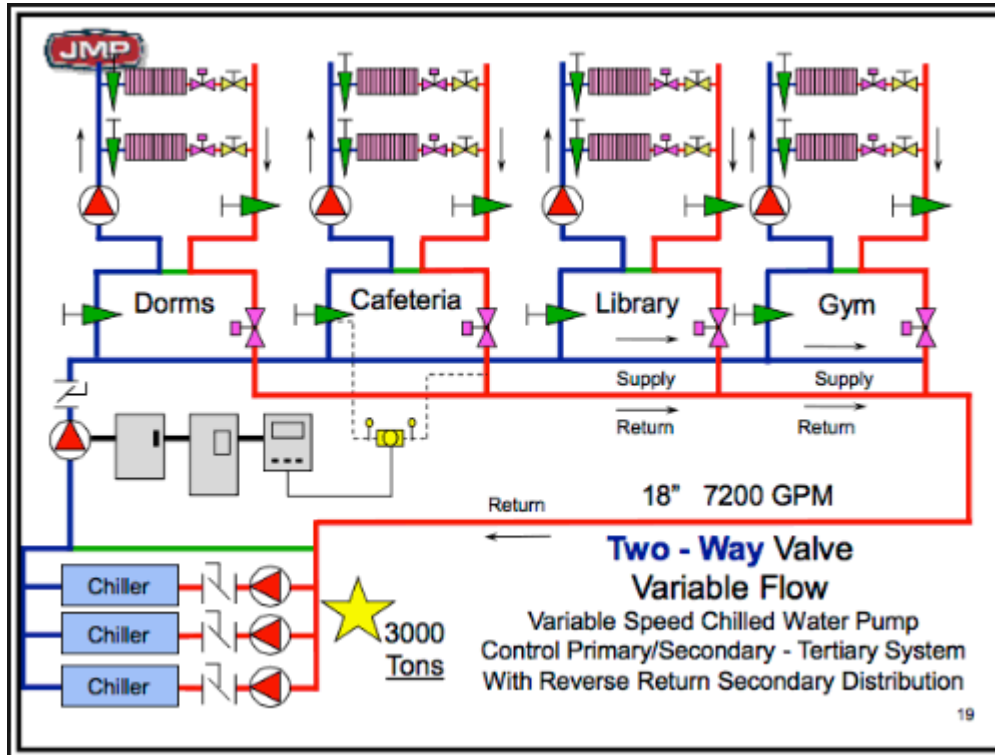


(figure 1)

This package is not provided with a detail technical specification but it comes with Technical Drawing.

Refer to Technical drawing, the system should consist of 3 Chillers, 8 water pumps and 8 Fan coils plus controller and some other components.

Could we have a clarification on which floor the Chilled water balancing distribution trainer will be placed?. (3<sup>rd</sup> floor or 7<sup>th</sup> floor?), and Where will the 3 chillers and cooling tower be placed? (Inside or outside the room?)



(figure 2)

2. Figure 2 mentioned above is only a **schematic sample**. It is not meant to be the actual set up for the workshop. For actual workshop, please refer to figure 1 above.

3.

**Package 4 –Lot 3, Air-Conditioning Distribution System**

Based on Tender specifications, the Airconditioning Distribution system must be completed with; Water chiller, Cooling tower unit, Air handling unit, Ducting with air distribution system, Fan coil unit, water pumps complete with all piping and installation plus controller and some other necessary parts. We found there is a workshop layout that is specifically designed for Air-Conditioning Distribution on 7<sup>th</sup> floor.

Questions:

1. What is the recommended size of the Chiller and Airconditioning system for this package, should we refer to Airconditioning Distribution workshop layout, Or refer to the illustrated pictures on tender document? (the sample pictures look too small for the room size (265 sqm)?)

**Response**

3. Size of the chiller and air conditioning system only needs to be large enough to accommodate for the size of the workshop (265 sqm) (Shown above in figure 1.)

2. Is there any relation between *Air-Conditioning Distribution system*(Package 4-Lot 3) and *Chilled water balancing distribution system*(Package 2-Lot1, C1)

4. The Chilled water balancing distribution system is part of the Air conditioning distribution system